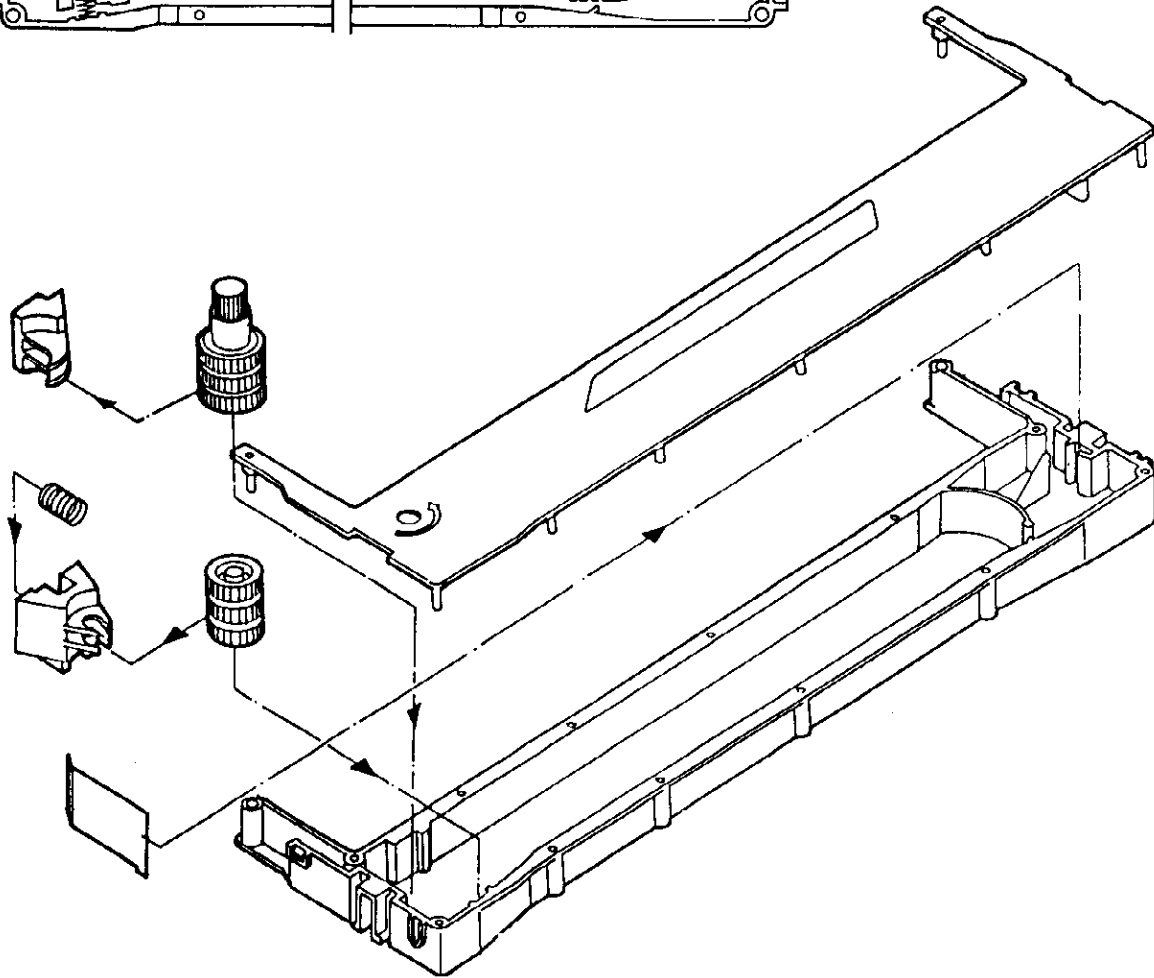
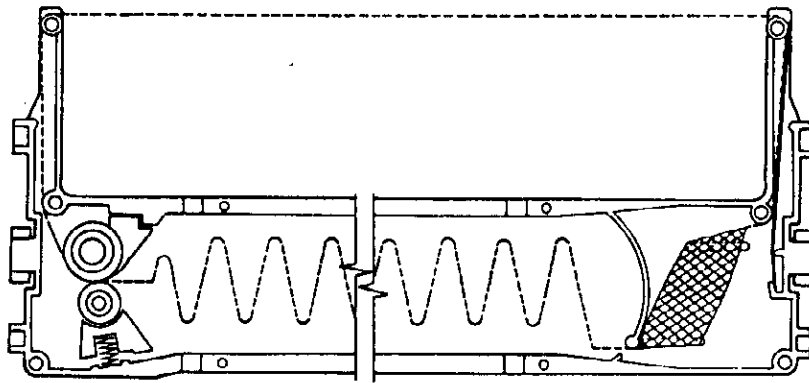


SPECIFICATIONS / INSTRUCTIONS	REV: 7/17/98	ITEM #
<b>Assembly Drawing</b>		<b>S-10-P/L</b>
		<b>DESCRIPTION</b> <b>Seikosha SBP10 - Dataproducts 8524 -</b> <b>mobius - preleadered</b> <b>12.7mm x 81m x 4.8MIL HD</b>
For Technical Assistance Call 1-800-821-4434 Specifications subject to change without notice.		<b>CARTEC</b> INTERNATIONAL, INC.



SPECIFICATIONS / INSTRUCTIONS	REV:	ITEM #
<b>Assembly Drawing</b>		<b>ST-10</b>
		<b>DESCRIPTION</b>  Star NL10/NL2410 13MM X 16M, 4.8MIL HD
For Technical Assistance Call 1-800-821-4434 Specifications subject to change without notice.		<b>CARTEC</b> INTERNATIONAL, INC.