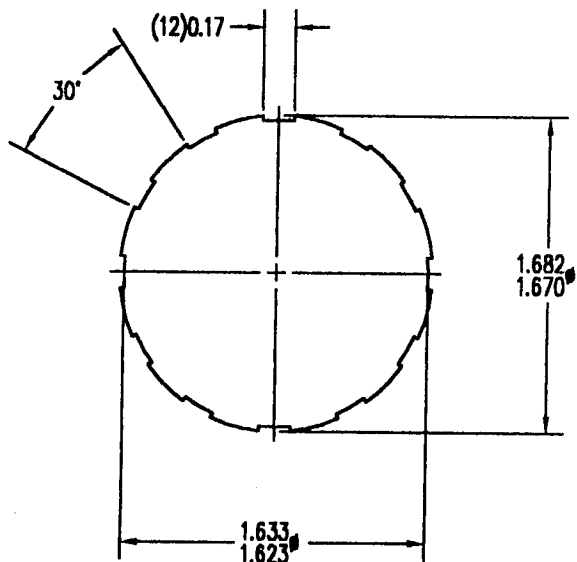


DETAIL "A"

(1).125" B-B HOLE

.09 R

DETAIL "A"



SPECIFICATIONS / INSTRUCTIONS

REV: 3/24/98

ITEM #

P-9212

Assembly Drawing

DESCRIPTION

Printronix 9212 - DataPrint 3121 - DEC
 LG 04/08/12 - Decision Data 6807 - IBM
 6400/08/12

25.4mm x 90m x 4MIL

CARTEC
 INTERNATIONAL, INC.

For Technical Assistance Call 1-800-821-4434
 Specifications subject to change without notice.