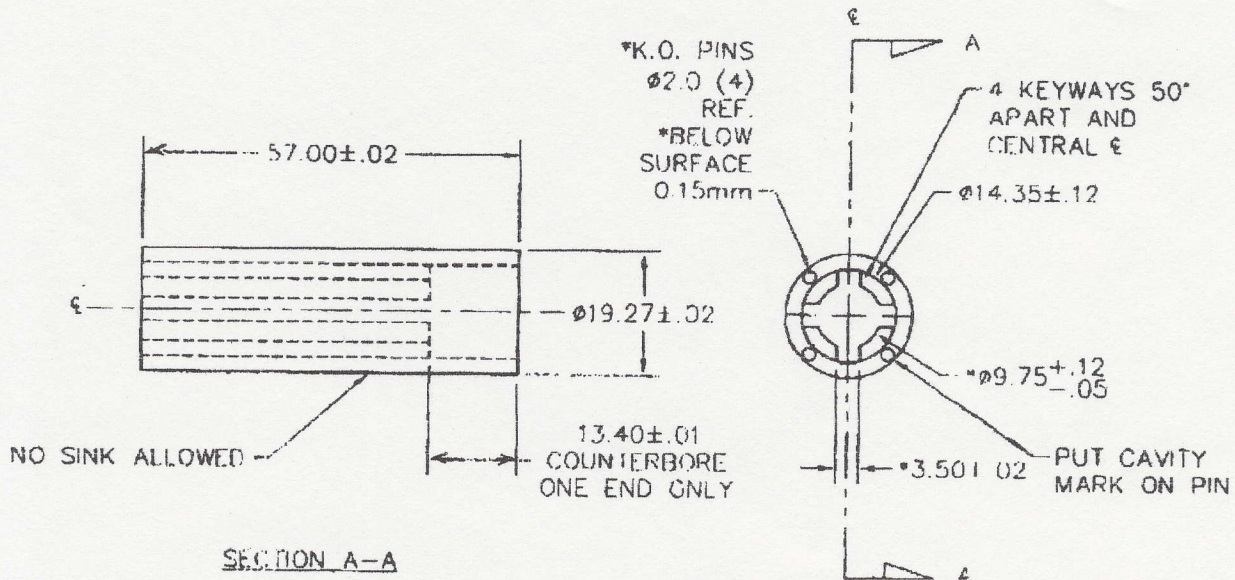


To George Mosier For Commander RBB

5/24/05



CONFIDENTIAL

NOTES:

- 1.) * CRITICAL DIMENSION
 9.65mm GAGE PIN MUST PASS
 THROUGH 9.75Ø FREELY
 NO SINK IN 9.75Ø I.D. ALLOWED.
- 2.) MATERIAL: GP--ABS BLACK COLOR

DET. NO.	NO. REQ.	DESCRIPTION OR PARTIAL STOCK SIZE	
MD	5.23.05	<i>[Signature]</i>	DATE 5/25/05
U.S.S.		CARTEC INTERNATIONAL INC.	
DO NOT SCALE DIMENSIONS REMOVE ALL SHARP EDGES			
ALL DIMENSIONS IN MILLIMETERS		TITLE: NCR 6770 - SHAFT	SCALE: 1.00=1.00
		JOB NO.:	SH. 1 OF 1
		PART NO.:	
		DRW. NO.:	NCR-6770-SHAFT