

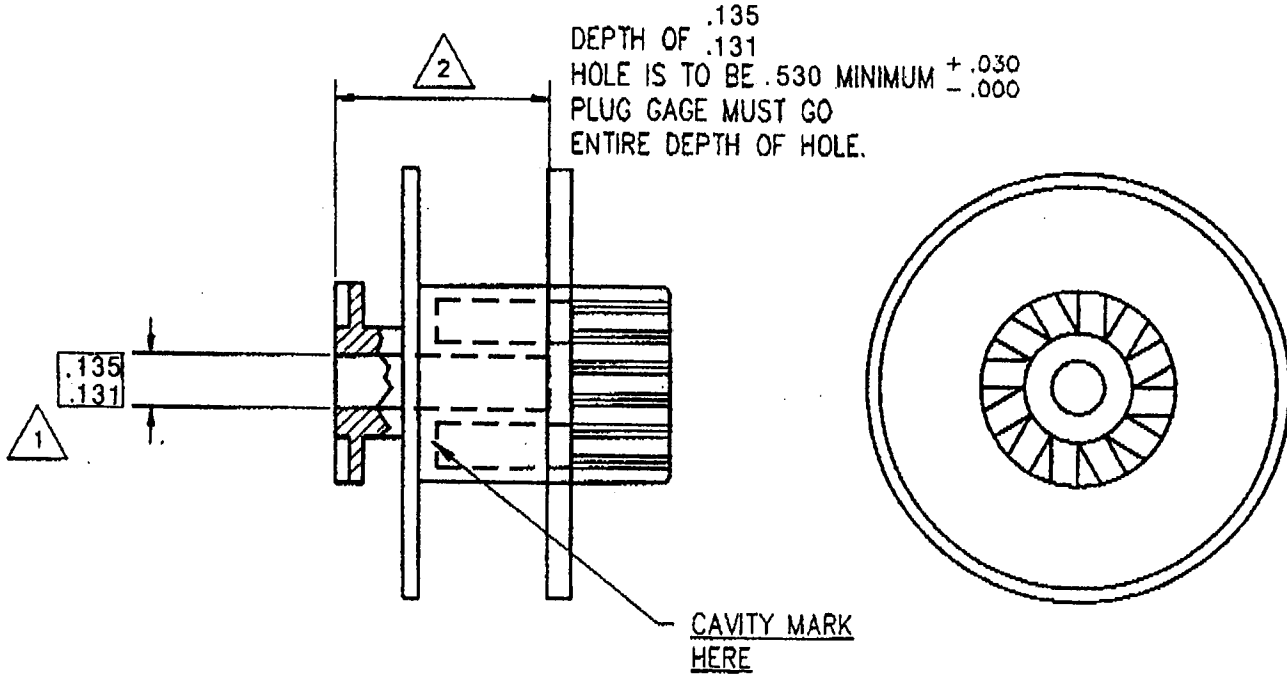
UNLESS OTHERWISE SPECIFIED:

TOLERANCES

FRACTIONAL	DECIMAL	ANGULAR
$\pm 1/64$.XX $\pm .03$.XXX $\pm .010$	$\pm 1/2^\circ$

This material and the information herein has been issued in confidence. It is proprietary to CARTEC INTERNATIONAL, INC. It may not be disclosed, used, copied, or reproduced in whole or part without prior written authorization.

DO NOT SCALE



SPECIFICATIONS / INSTRUCTIONS

REV:

ITEM #

1 USE .131 TO .135 PLUG GAGE.

2 USE 0-1" DEPTH MICROMETER OR VERNIER DIAL CALIPER.

3. THIS DRAWING IS FOR Q.C. PURPOSES ONLY.

I-LTU-1 OR 2
I-CTU-1 OR 2

DESCRIPTION

CRITICAL DIMENSION DRAWING
IBM LIFT-OFF, TAKE-UP CORE

Material
HIGH IMPACT STYRENE

Drawn by
P. KARAIKOS 7/27/92

Date
Date

Checked by

Scale 2:1
Size A

Finish

Approved by

Date
Sht. 1 of 1 Sht(s)

J.P. 11/4/93

CARTEC
INTERNATIONAL, INC.

For Technical Assistance Call 1-800-821-4434
Specifications subject to change without notice.