

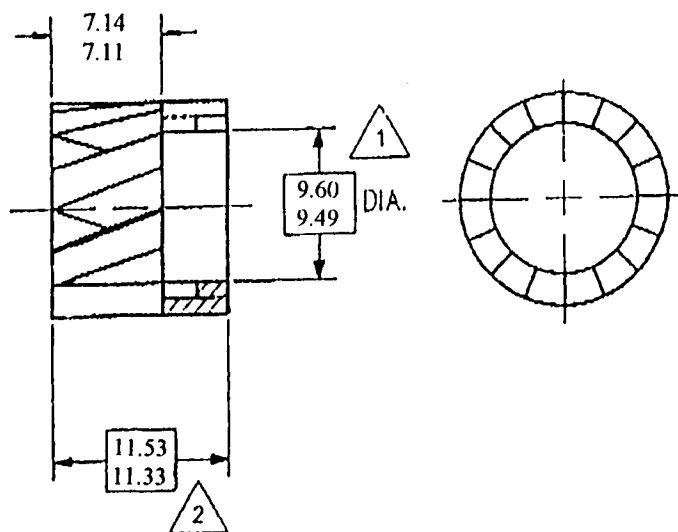
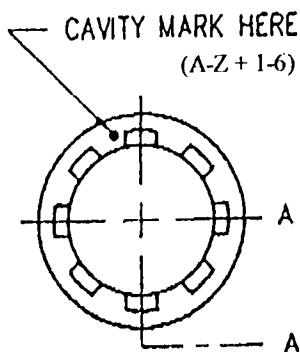
UNLESS OTHERWISE SPECIFIED:

TOLERANCES

FRACTIONAL	DECIMAL	ANGULAR
$\pm 1/64$	$.XX \pm .03$ $.XXX \pm .010$	$\pm 1/2^\circ$

This material and the information herein has been issued in confidence. It is proprietary to CARTEC INTERNATIONAL, INC. It may not be disclosed, used, copied, or reproduced in whole or part without prior written authorization.

DO NOT SCALE



SECTION A-A

SPECIFICATIONS / INSTRUCTIONS

REV:

ITEM #

I-LOS-1 OR 2
I-CUS-1 I-LOS-1K

- 1 USE 9.49 TO 9.60 PLUG GAUGE.
- 2 USE 0-1" DISC MICROMETER FOR LENGTH.
- 3. THIS DRAWING IS FOR Q.C. PURPOSES ONLY.

DESCRIPTION

CRITICAL DIMENSION DRAWING
IBM LIFT-OFF, SUPPLY CORE

Material
HIGH IMPACT STYRENE

Drawn by
P. KARAIKOS 7/25/92

Scale 2:1

Checked by

Size A

Finish

Approved by
JP 1/4/93

Sht. 1 of 1 Sht(s)

For Technical Assistance Call 1-800-821-4434
Specifications subject to change without notice.

CARTEC
INTERNATIONAL, INC.