

Specifications subject to change without notice.

For Technical Assistance Call 1-800-821-4434

**CARTEC**  
INTERNATIONAL, INC.

**Assembly Drawing**

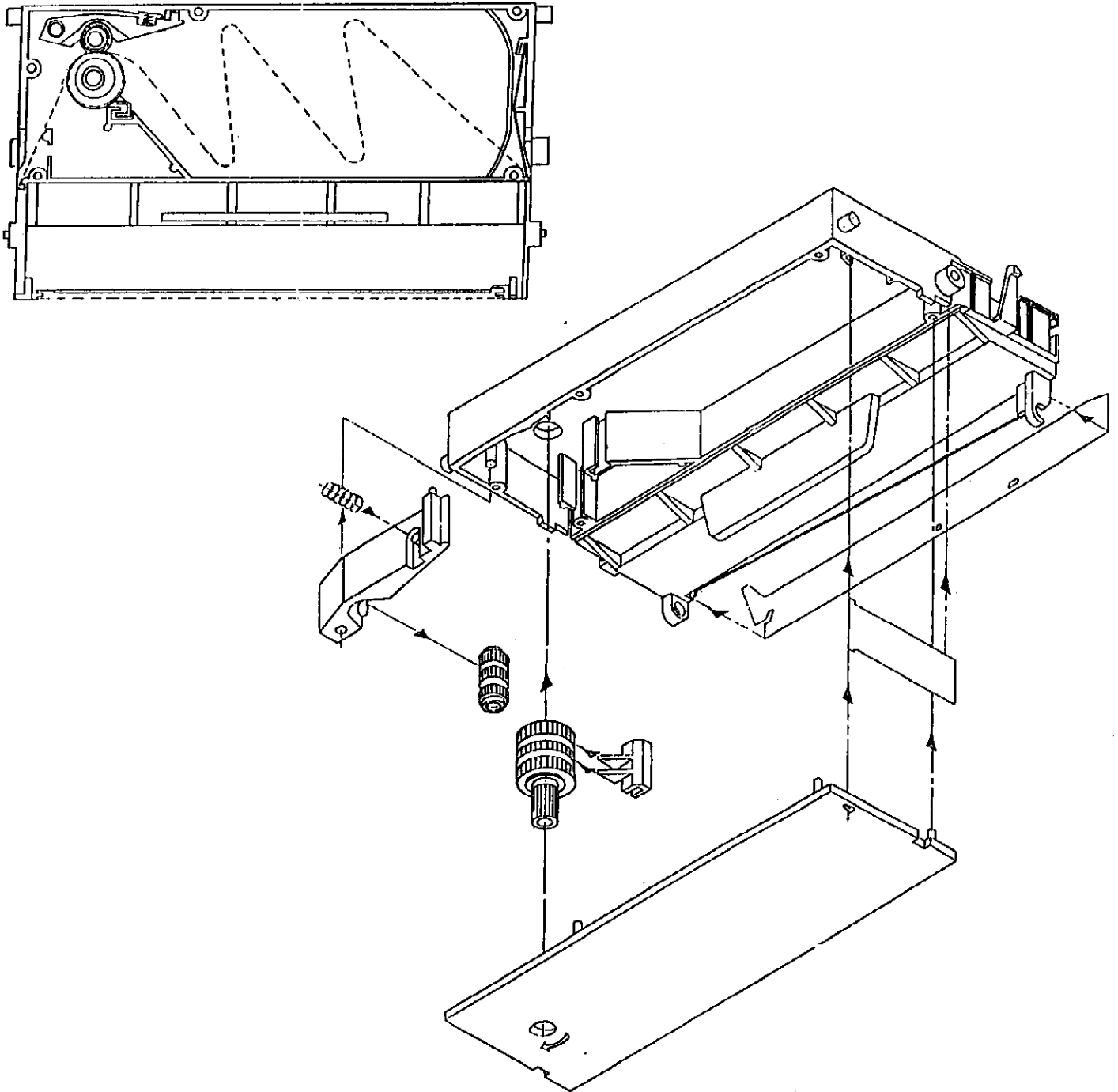
DESCRIPTION  
Epson ERC 21 - preleaded  
12.7mm x 9m x 4MIL

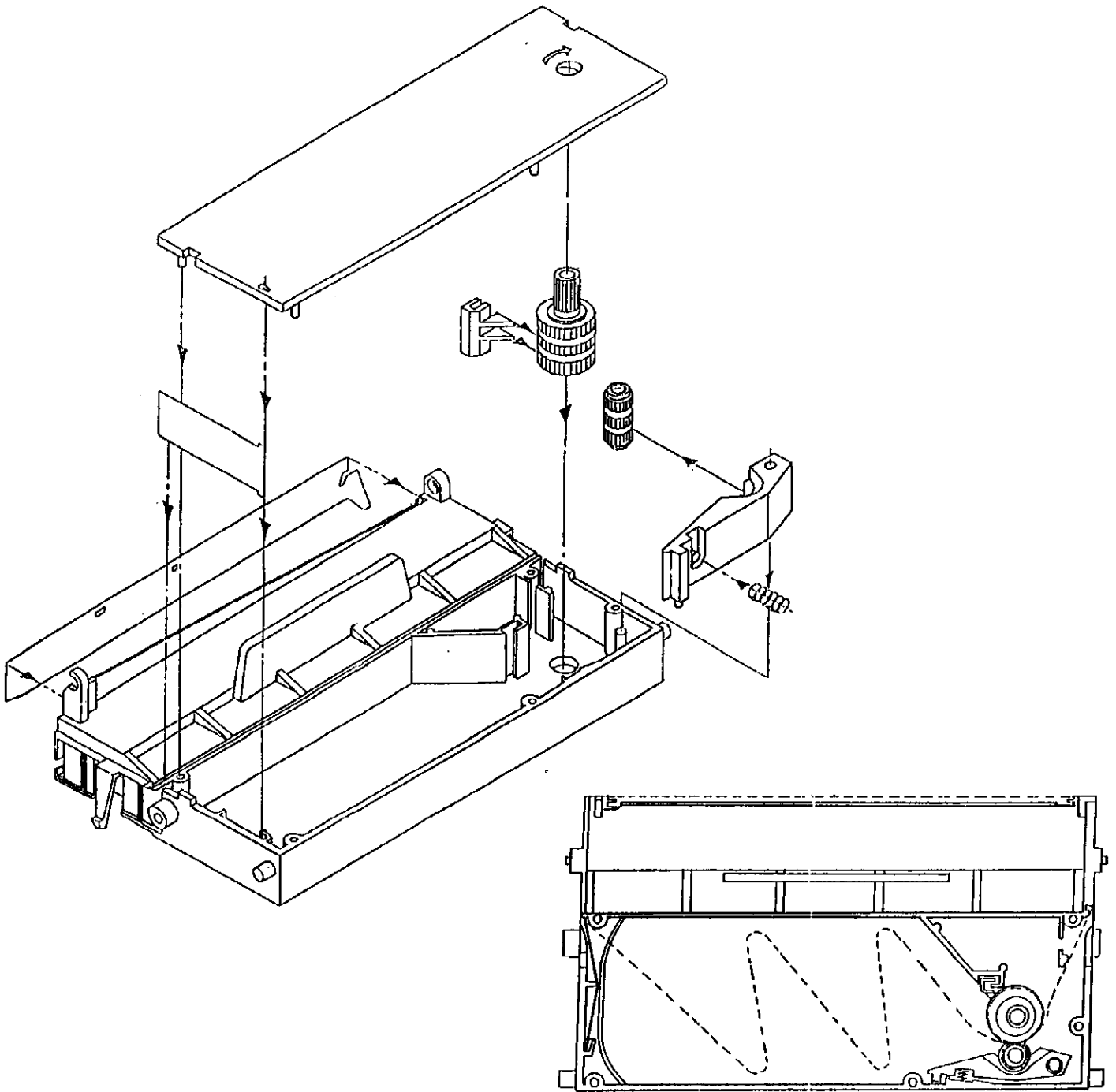
**E-21-P/L**

ITEM #

REV: 6/15/99

SPECIFICATIONS / INSTRUCTIONS





SPECIFICATIONS / INSTRUCTIONS

REV: 6/15/99

ITEM #

**E-21-P/L**

**Assembly Drawing**

DESCRIPTION

**Epson ERC 21 - preleadered  
12.7mm x 9m x 4MIL**

For Technical Assistance Call 1-800-821-4434  
Specifications subject to change without notice.

**CARTEC**  
INTERNATIONAL, INC.