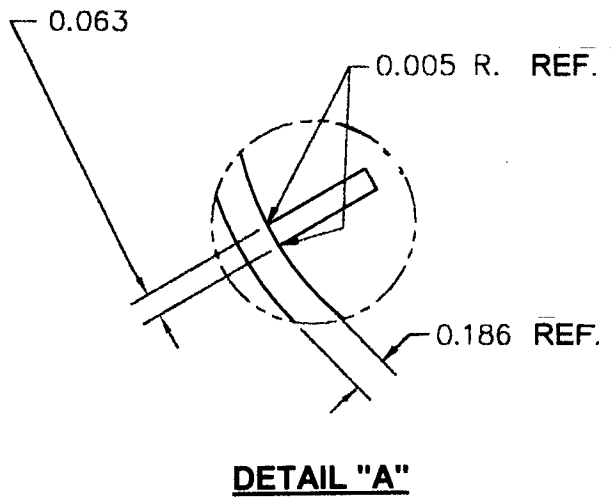


- NOTES:** 1.) ALL UNSPECIFIED TOLERANCES ARE TO BE ±.005
- 2.) SIX RIBS EQUALLY SPACED APART AROUND 360°.
- 3.) MATERIAL: ABS GP~GREEN.



SPECIFICATIONS / INSTRUCTIONS	REV: 6/11/01	ITEM #
Assembly Drawing		CORE-DC-1.8
		DESCRIPTION Datacard Thermal Core UG800 - Teal Color
For Technical Assistance Call 1-800-821-4434 Specifications subject to change without notice.		